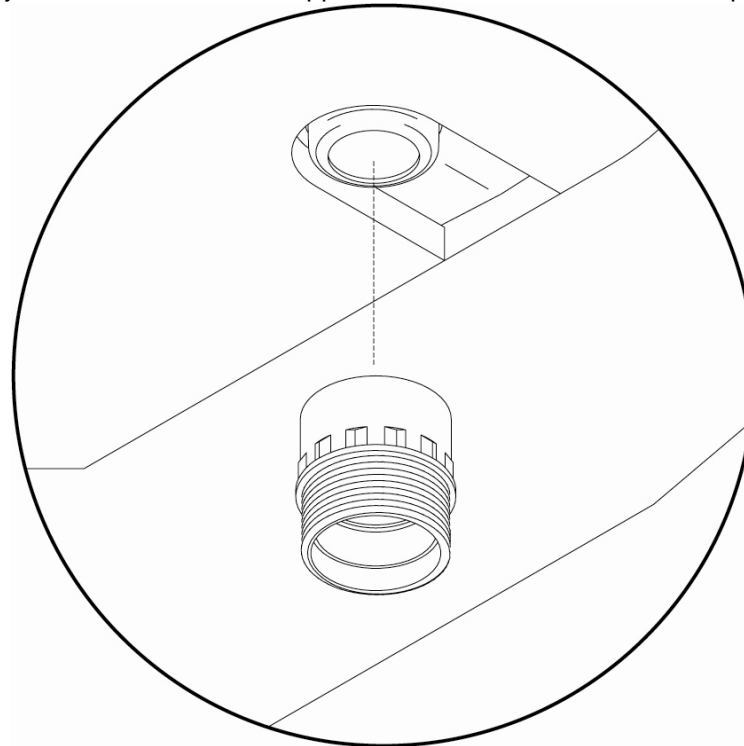
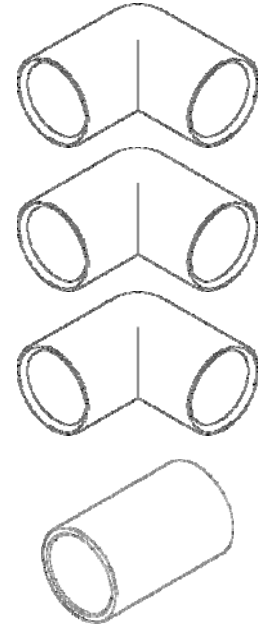
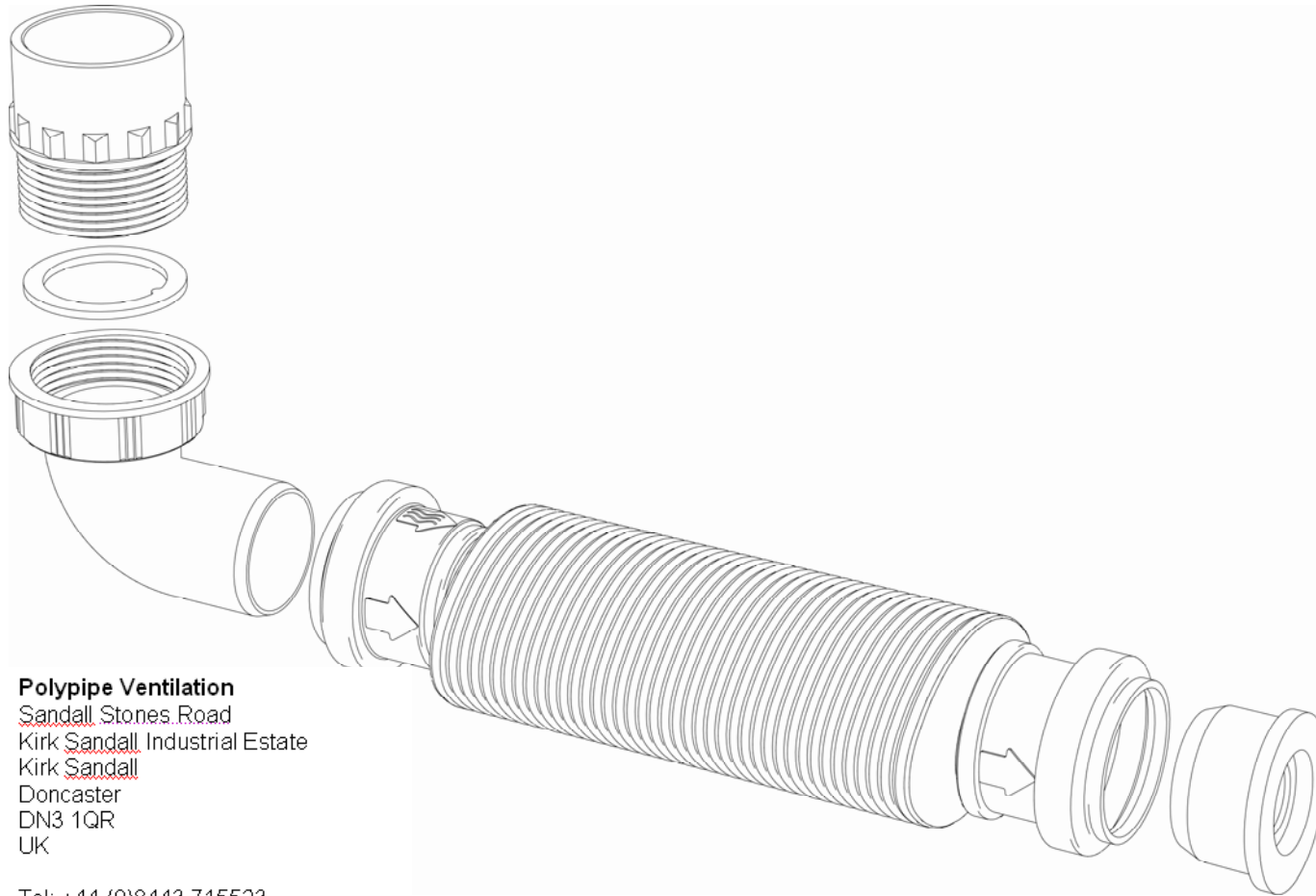


DOMUS 297 Condensate Drainage Kit (refer to Silavent HRX installation and operating instructions)

- 1 Using a small amount of solvent weld suitable for ABS pipe fittings (not supplied), attach the threaded socket to the selected condensate outlet spigot. **Important:** follow the health and safety and user instructions supplied with the solvent weld. This is particularly important when working in confined spaces.



- 2 When the threaded socket is secure, fit and hand-tighten the threaded elbow making sure that the rubber seal washer is seated correctly.
- 3 To ensure that the waterless trap operates correctly, run a trickle of water from a tap through the trap in the direction of the arrows. Gently push the waterless trap onto the elbow stem. **Important:** Check that the arrows printed on the trap point away from the HRX unit (in the direction of flow).
- 3 Using the remainder of the kit items complete the condensate drain-system to suit the dwelling layout. **Important:** The drain must incorporate a continuous fall of no less than 5° (87.5mm in every 1000mm) to the nearest waste water network.
- 4 The condensate drain system should be adequately supported and suitably insulated if it passes through unheated spaces and voids (e.g. loft spaces) to prevent freezing.

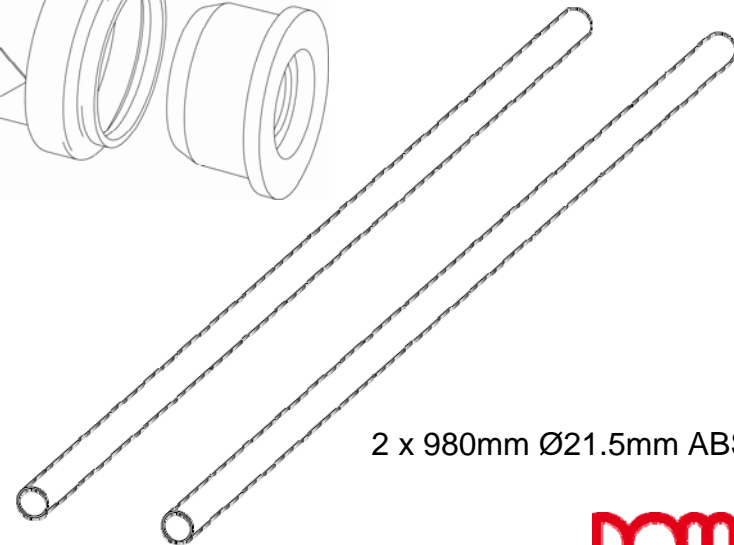


Polypipe Ventilation
Sandall, Stones Road
Kirk Sandall, Industrial Estate
Kirk Sandall
Doncaster
DN3 1QR
UK

Tel: +44 (0)8443 715523
Fax: +44 (0)8443 715524

International Tel: +44 (0)1302 348878
International Fax: +44 (0)1302 348879

Email: vent.info@polypipe.com
Web: www.polypipe.com/ventilation



2 x 980mm Ø21.5mm ABS PIPE